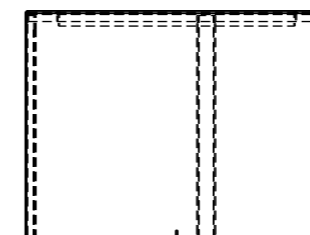
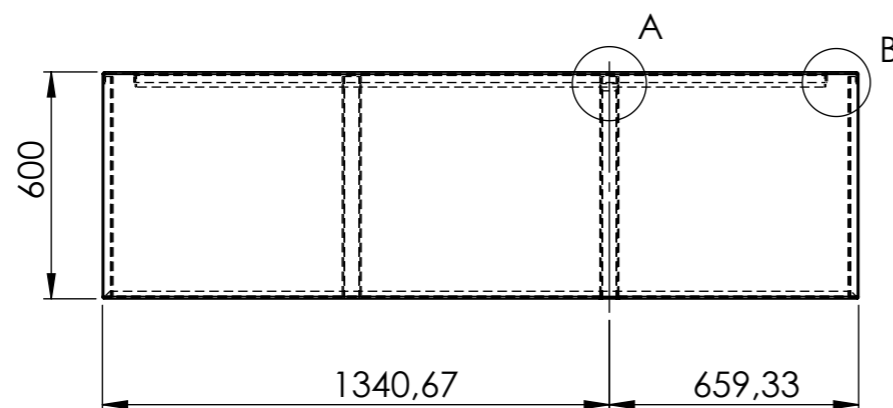


DETAIL B
SCALE 1 : 5



| | | | | | | | |
|----------|---------------------|--|----------|---------------|----------|------------|--------------------------|
| DRAWN | Luuk van den Heuvel | DATE | 1-5-2026 | | TITLE: | 3mm Corten | |
| REVISION | | | | | Drawing: | VC9 | A3 |
| | | Liessentstraat 4, 5405 AG Uden (NL). † 0031 (0)413 - 27 41 68. e info@adezz.com, i www.adezz.com | | | Color: | - | Mass (kg): 153.58 |
| | | SCALE:1:20 | | SHEET 1 OF 11 | | | |